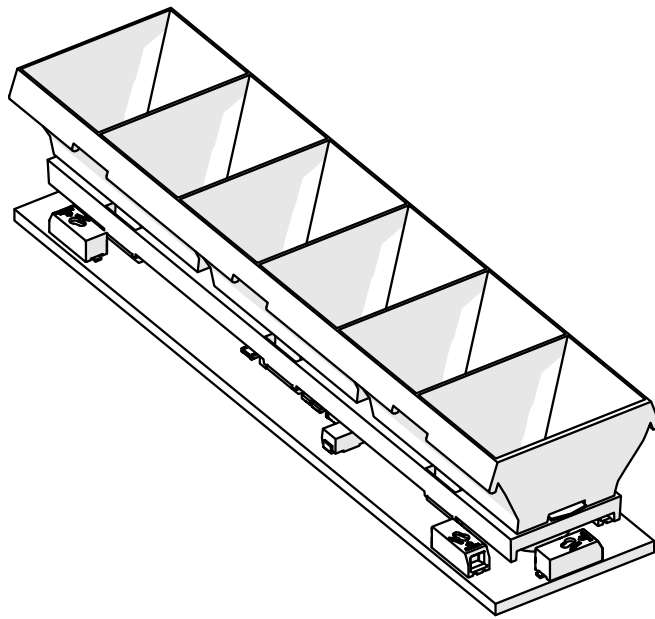
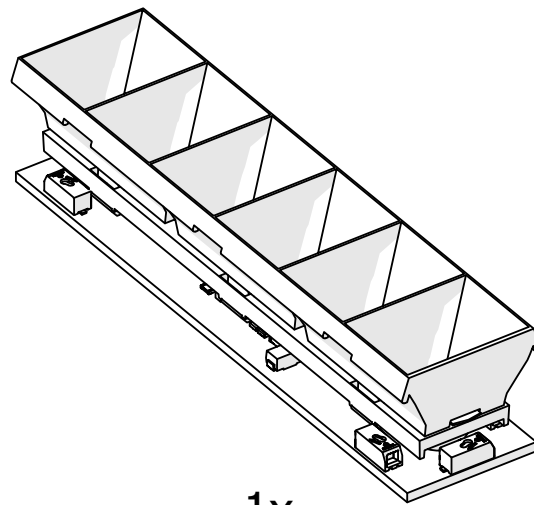


# Optic DOT-22





1x

Optic DOT-22\*

\* The full range of accessories and electronics is available at [www.KlusDesign.eu](http://www.KlusDesign.eu)

**NOTE! !** Depending on the selected version, the LED module should be connected to a constant current power supply (max. 500mA / 1 x DOT-22) or a constant voltage 24V DC power supply. If you have any questions or concerns, please contact with KLUS.

**IMPORTANT:** Not all possible mounting procedures are presented here. More mounting procedures and related accessories can be found at [www.KlusDesign.eu](http://www.KlusDesign.eu). Drawings in these instructions are simplified and only approximate the actual shapes.

